



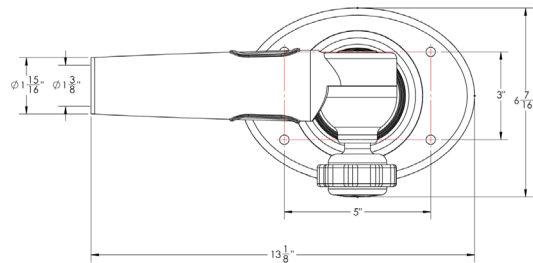
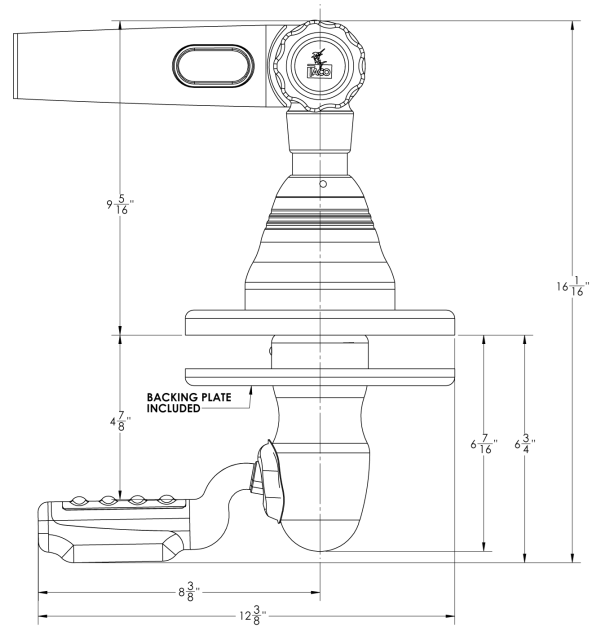
PRO SERIES GS-450 MOUNT WITH TWIST & LOCK BASE



Innovation in the sport fishing industry is one of our goals, and the development of the NEW Grand Slam 450 Outrigger Top Mount is the next step in making your trips offshore more efficient. Considering the ability of today's larger center consoles to get offshore in more treacherous seas, the heavy duty GS-450 is a mount designed to take you there. Its strength and durability allows you to run your boat as hard as your crew can take it, without fear of equipment failure. Once arriving at your destination, the horizontal rotation of the poles from your deck, provides great convenience. Additionally, the new Twist & Lock pole connection changes the frustrating task of locating the pin hole for installation.

FEATURES & BENEFITS

- Premium OEM outrigger base
- Heavy duty base and arm
- Uses TACO Twist & Lock Outriggers
- Handles additional torque and whip from outrigger poles 24' and beyond
- New arm design provides sleek and flowing appearance
- Cast stainless-steel and machined aluminum construction
- Strong, locking head allows perfect positioning
- Allows for horizontal rotation from under the T-top
- Equipped with our patent-pending Twist & Lock Mechanism



w tacomarine.com | ph 800.653.8568 | e info@tacomarine.com



PART NUMBER	DESCRIPTION	UNIT	PACK	UPC
GS-450	Grand Slam 450 Outrigger Mount with Twist & Lock Base	Pair	2	630892088888